



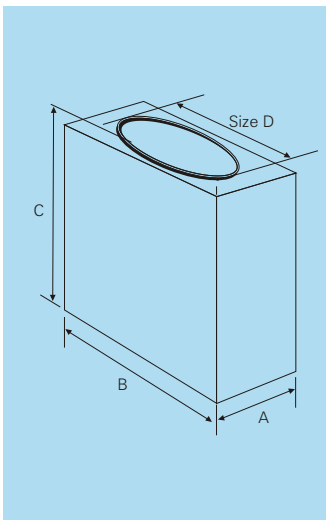
INTERCHANGEABLE STEEL TYPES

INDUSTRIAL MARKING SOLUTIONS

- Perfect for part-numbering and specification marking on steel, aluminium, brass etc.
- High tool life. Reduces production downtime
- Types made from high quality tool steel; treated to remove scale and resist rust
- Hardened and tempered for high wear resistance, retaining toughness at the same time
- All dimensions to very close tolerances, for the clearest uniform impression when several types are assembled together
- Composite stamping by assembling types in holders for hand or machine stamping

Standard Font Sets

- Types are available in standard font sets in sizes ranging from 1mm to 10mm
- Comprise, alphas, numerals and punctuation marks selected to cover most needs and minimise duplication
- Font sets for smaller types sizes consist of 100 types, while those for the bigger type sizes consists of 60 types as shown below
- Bevel angles character depth and calligraphy to maximum type life
- Sets are available with or without hand/machine holder as desired, in a compact wooden box with tweezers for the smaller sizes



TYPE CODE NO.	CHARACTER SIZE D MM	TYPE SIZE			FONT SET CODE NO.		NUMBER OF TYPE IN SET	NUMBER OF SPACERS SET	HAND HOLDER CODE NUMBER	HAND HOLDER CAP.
		A MM	B MM	C MM	WITH HAND HOLDER	WITH OUT HAND HOLDER				
T010	1.00	1.00	8.00	25.00	112 EH010	112E010	100	12	8 EH 20	20
T 062	1.59 (1/16")	1.59	3.18	15.88	112 EH 062	112 E 062	100	12	125 EH 750	12
T 020	2.00	2.00	8.00	25.00	112 EH 020	112 E 020	100	12	8 EH 25	12
T 093	2.40 (3/32")	2.40	6.35	19.05	112 EH 093	112 E 093	100	12	250 EH 1000	10
T 030	3.00	3.00	8.00	25.00	112 EH 030	112 E 030	100	12	8 EH 25	8
T 125	3.18 (1/8")	3.18	6.35	19.05	112 EH 125	112 E 125	100	12	250 EH 1250	10
T 040	4.00	4.00	8.00	25.00	112 EH 040	112 E 040	100	12	8 EH 40	10
T 187	4.76 (3/16")	4.76	7.94	19.05	112 EH 187	112 E 187	100	12	312 EH 1250	6
T 050	5.00	5.00	8.00	25.00	112 EH 187	112 E 050	100	12	8 EH 40	8
T 060	6.00	6.00	8.00	25.00	112 EH 060	112 E 060	100	12	8 EH 40	6
T 250	6.35 (1/4")	6.35	9.53	19.05	112 EH 250	112 E 250	100	12	375 EH 1500	6
T 080	8.00	8.00	14.00	25.00	66 EH 080	66 E 080	60	6	14 EH 60	7
T 375	9.53 (3/8")	9.53	15.88	25.40	66 EH 375	66 E 375	60	6	625 EH 2250	6
T 100	10.00	10.00	14.00	25.00	66 EH 100	66 E 100	60	6	14 EH 60	6

Special Types also Available

- Segment, radial, grooved and stepped types for special applications
- Dotted calligraphy/low stress types
- Convex/Concave character faces
- Special calligraphy
- Special materials for type to suit the applications
- Types for red-hot stamping
- Types for hot-foil stamping
- Types for different kinds of packaging: Card board, Collapsible Tube Crimping, Sachets, Tetrapacks etc.